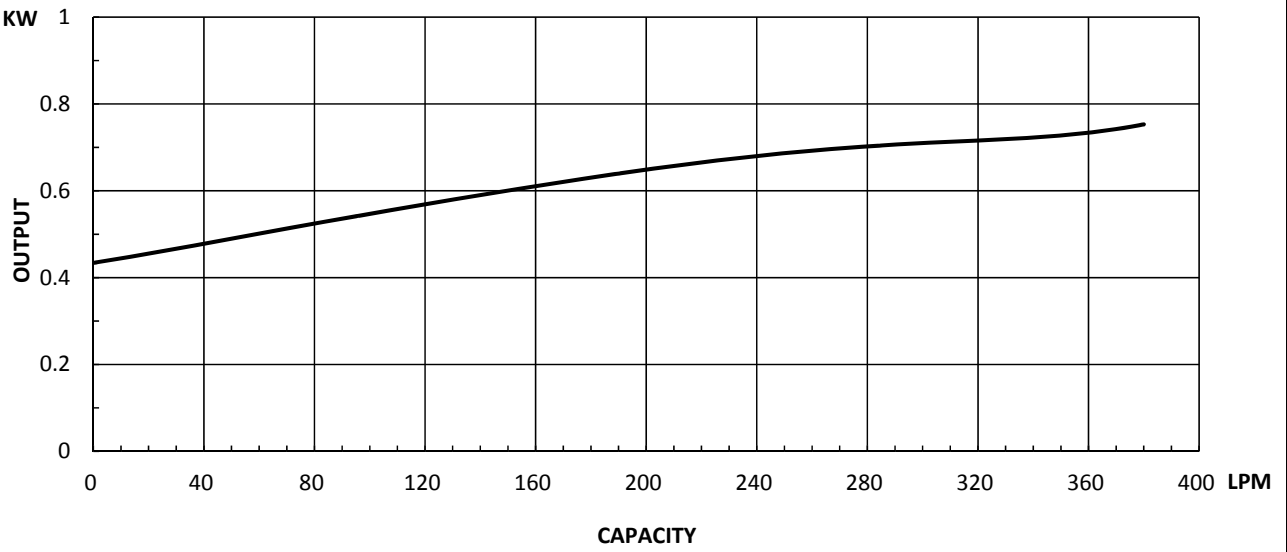
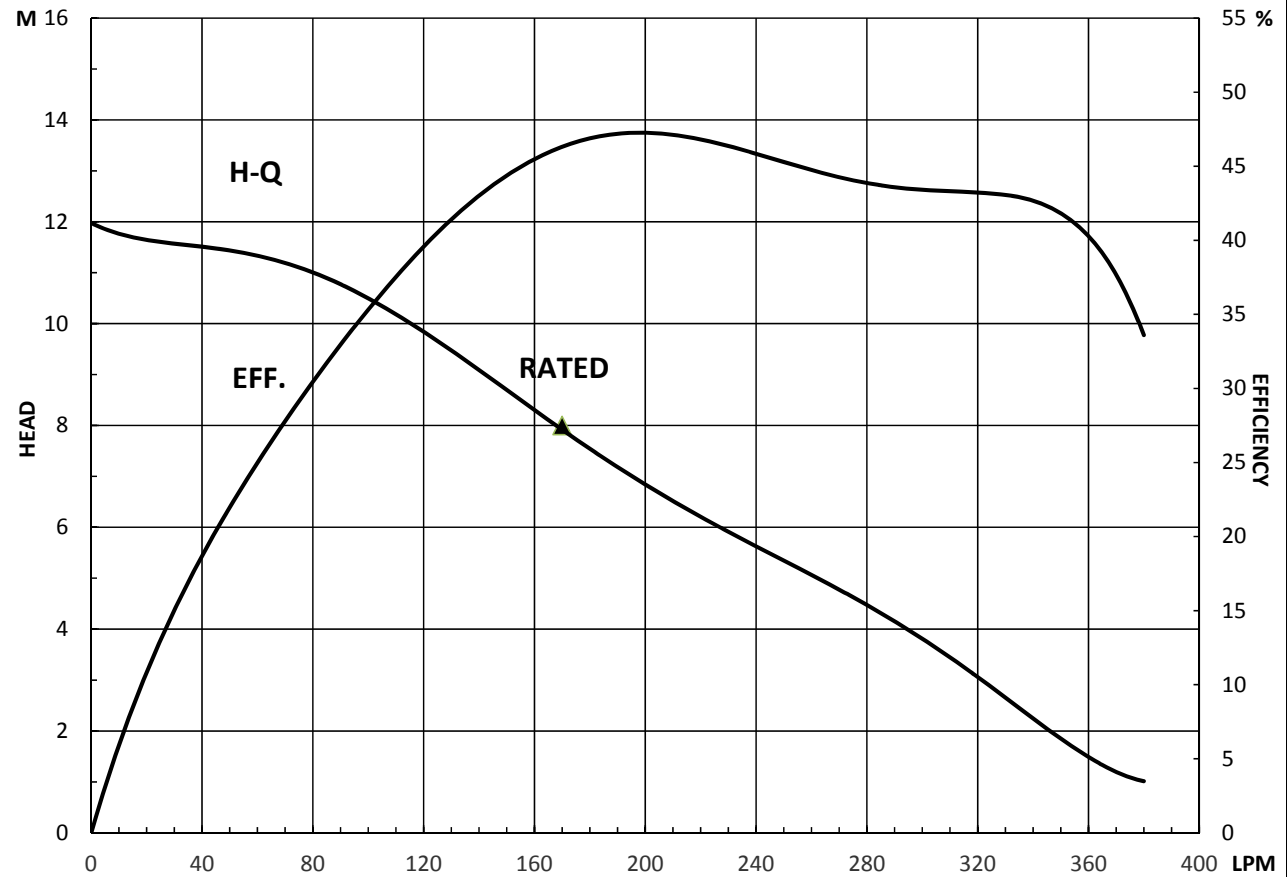




FILE NO. SVX750W-WLPT180615-R1

PUMP PERFORMANCE REPORT

MODEL	SVX750W					RATED	
FREQUENCY	50 HZ				HEAD	8	M
DISCHARGE	2 INCH / 50 MM				CAPACITY	170	LPM
OUTPUT	1 HP / 0.75 KW				POLE / RPM	2 P /	2850 RPM
PHASE/VOLTAGE	1 ϕ	220V	230V	240V	START METHOD	CAPACITOR	
F.L.A.	A	5.8	5.8	5.8	INSULATION CLASS	B	CLASS

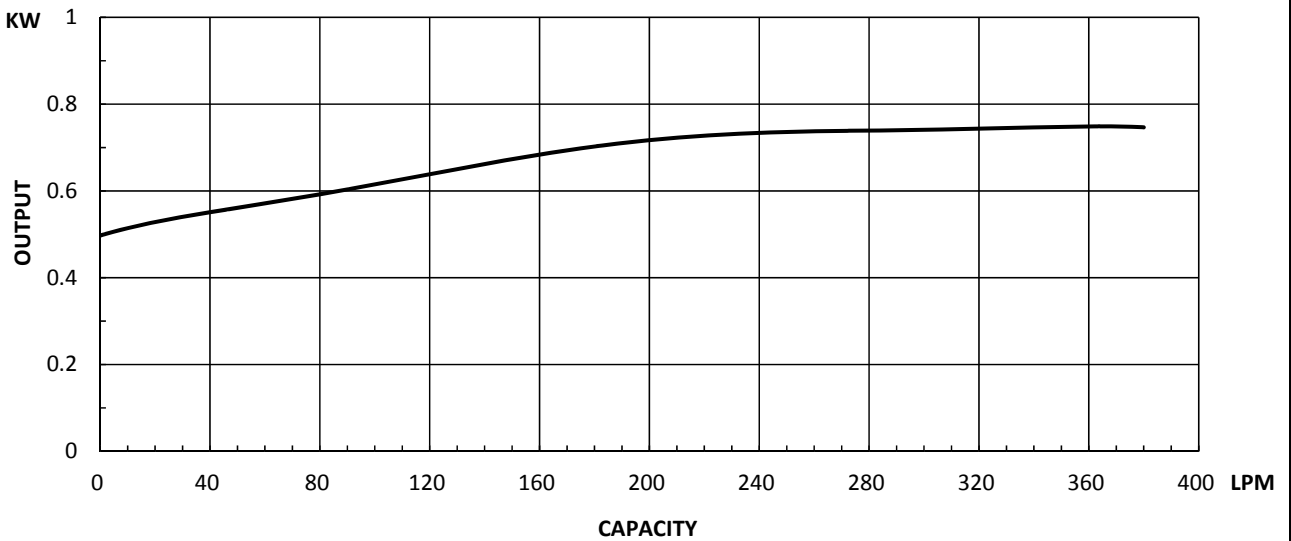
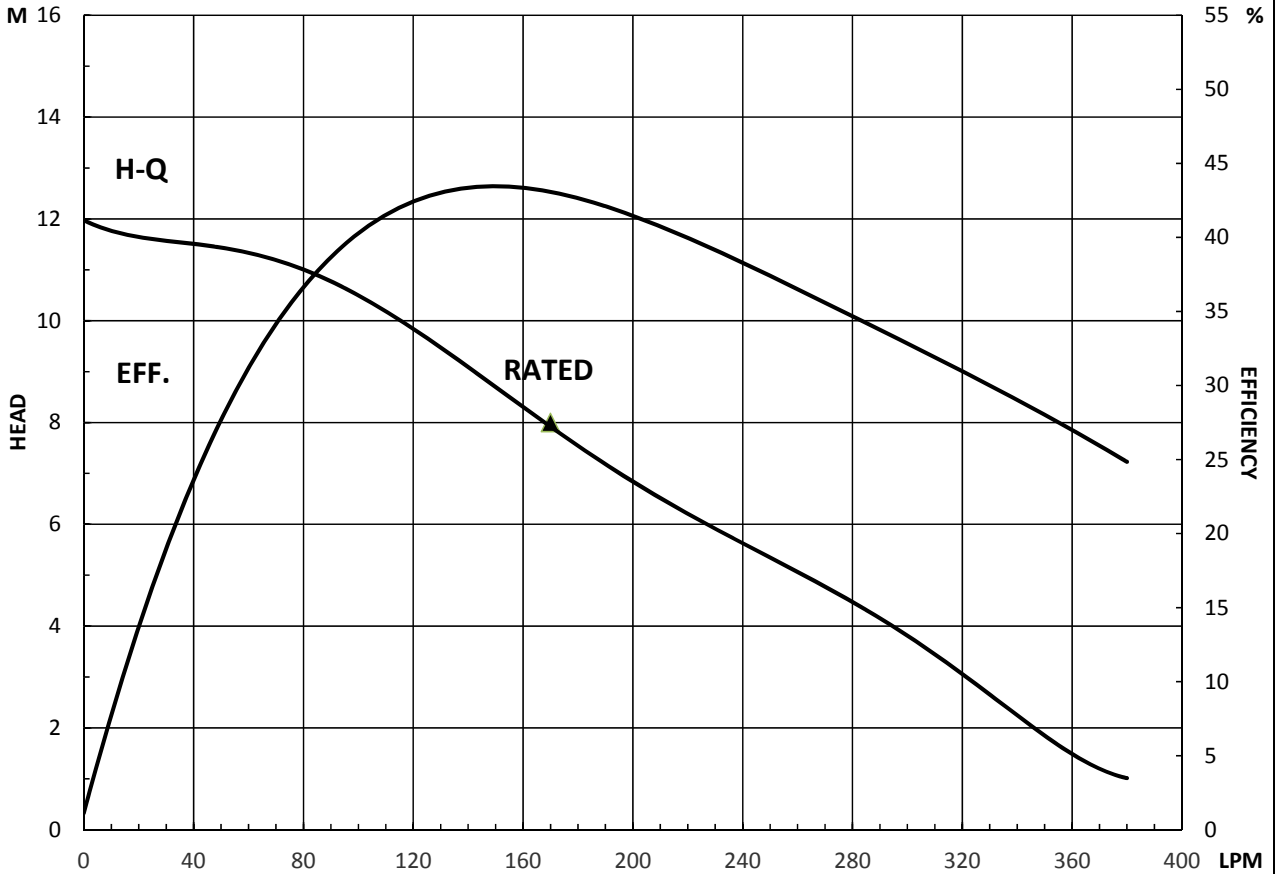




FILE NO. SVX750D-WLPT180615-R1

PUMP PERFORMANCE REPORT

MODEL	SVX750D				RATED	
FREQUENCY	50 HZ				HEAD	8 M
DISCHARGE	2 INCH / 50 MM				CAPACITY	170 LPM
OUTPUT	1 HP / 0.75 KW				POLE / RPM	2 P / 2850 RPM
PHASE/VOLTAGE	3 ϕ	380V	400V	415V	START METHOD	DIRECT
F.L.A.	A	2	2	2	INSULATION CLASS	B CLASS

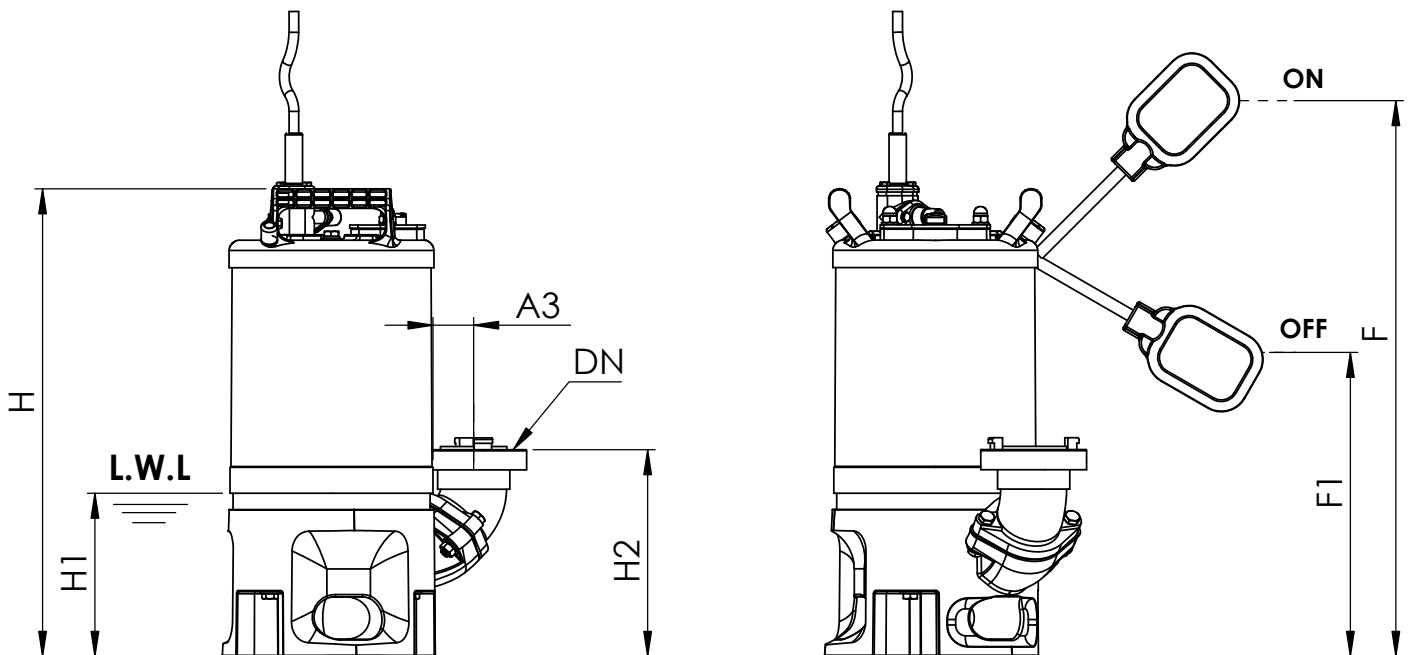
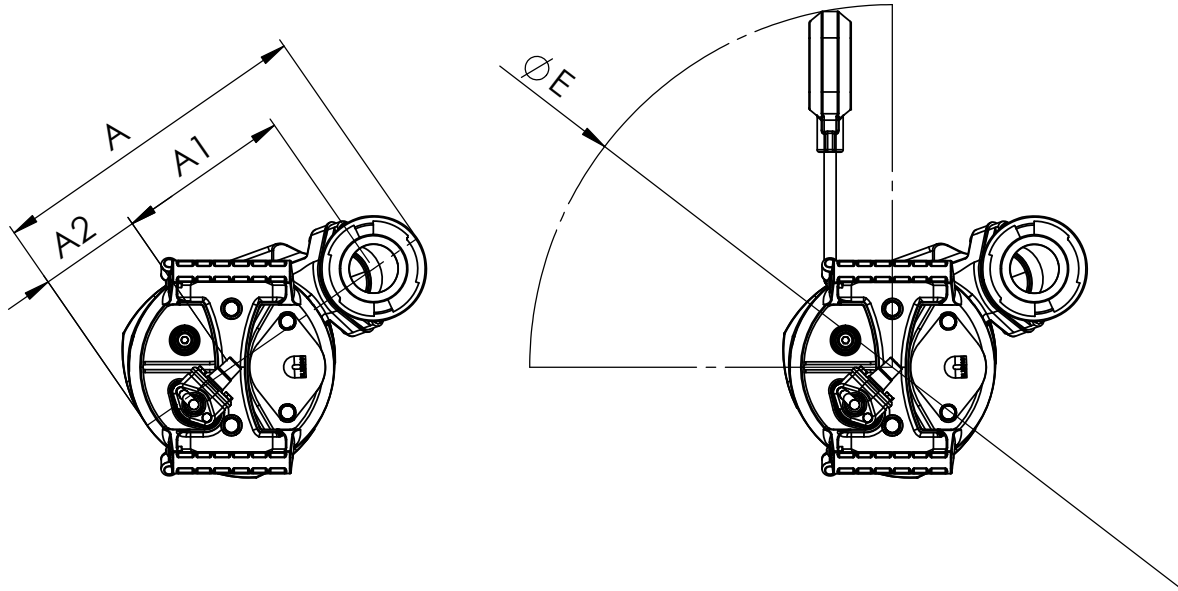




50HZ SVX- SERIES

DIMENSIONAL DRAWING

MODEL : SVX-750



DIMENSIONS : mm
WEIGHT : kg

PIPE CONNECTION TYPE

PT	NPT
----	-----

MODEL	A	A1	A2	A3	DN	H	H1	H2	OPTIONAL			WT
									E	F	F1	
SVX-750	310	160	95	38	2"	436	191	172	670	514	281	14.5

L.W.L.:Lowest Running Water Level

WT.:Weight without cable

Optional: For SVX-750WS